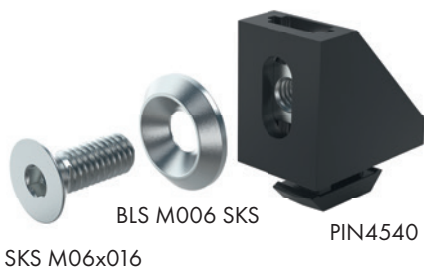


PIN4541

Panel Block

**Application**

Flush mounting of panels using screws, suitable for extrusions in the 40 mm series.

Technical data

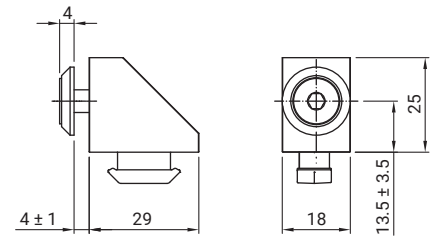
Material: PA6 30 GF
Panel thickness: 4 mm +/- 1 mm

Scope of delivery

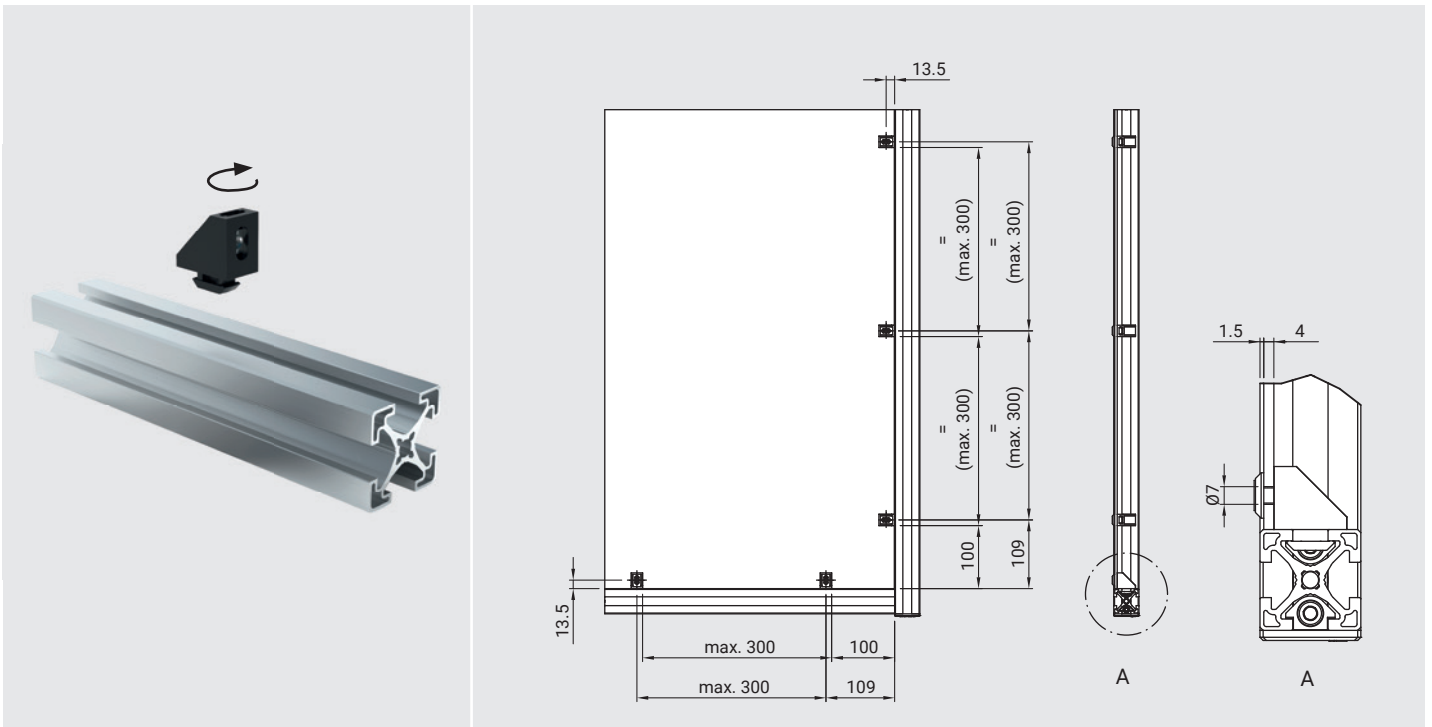
1 Panel Block PIN4540
1 screw SKS M06x016
1 washer BLS M006 SKS

Panel size:

inside width minus 1 mm



Assembly instructions



Order code

Order code	Item	Description	Weight
PIN4541	Panel Block, kit		0.018 kg

Drawings: dimensions in mm