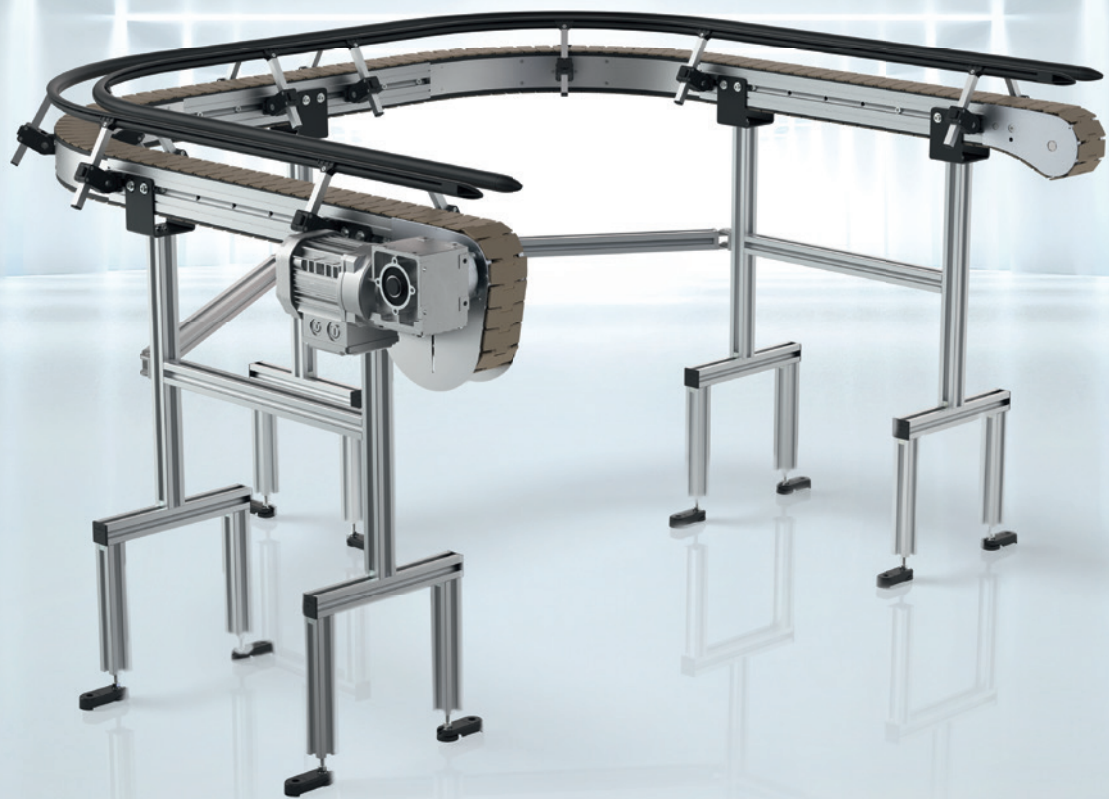




ROBOTUNITS®

SYSTEMATICALLY. BETTER. TOGETHER.



SLAT TOP CONVEYORS

Efficient conveyor technology for complex layouts

SLAT TOP CONVEYORS

Reliable, flexible, and efficient

Discover the flexible and reliable solution for transporting materials over longer distances: Our Slat Top Conveyors are designed for complex layouts with multiple curves, making them ideal for industries such as packaging, logistics, food processing, waste management, and automotive manufacturing.

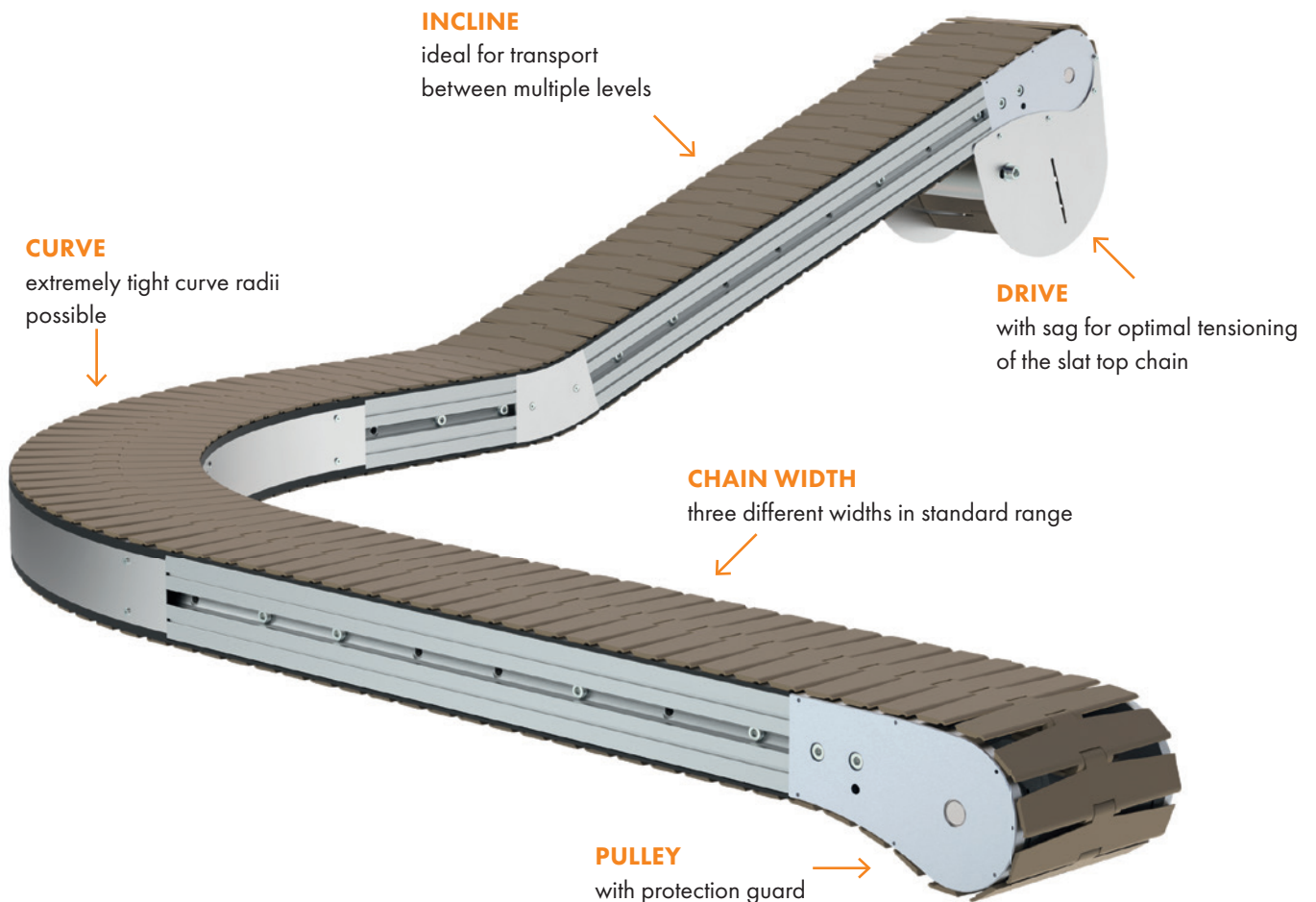
FACTS

- > Compact conveyor technology with extremely tight curve radii
- > Long distances with just one drive unit
- > The pulley is flush with the frame

Engineered for efficiency, durability, and minimal maintenance, these conveyors integrate seamlessly into your production and logistics systems. Their robust construction and versatile design ensure smooth workflows, greater productivity, and sustainable process optimization across a wide range of applications.

BENEFITS

- > Optimal customization for spatial and material flow conditions
- > Energy efficiency
- > Easy transfer of products



TECHNICAL DATA

Frame width:	87 mm, 124 mm, 195 mm
Chain width:	82.6 mm, 114.3 mm, 190.5 mm
Min. curve radius:	Chain width 82.6 mm = 200 mm Chain width 114.3 mm = 200 mm Chain width 190.5 mm = 400 mm
Speed:	5 m/min to 30 m/min

Max. conveyor length: approx. 15,000 mm *

Max. conveyor load: approx. 150 kg *

* depending on the conveyor layout

Alternative widths and speeds available upon request.

SLAT TOP CONVEYORS

Layout and drive

SPECIAL EXTRUSION:

- > Mounting options for sensors, side guides and stands



DRIVE:

- > 230/400 V motor
- > Chain sag for optimal tensioning of the slat top chain

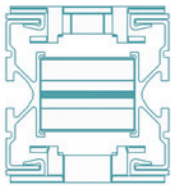
PULLEY:

- > Special pulley for optimal movement of the slat top chain
- > Flush with the frame

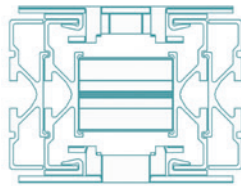


THREE FRAME WIDTHS

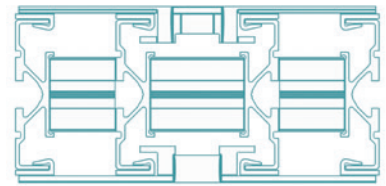
- > The optimal frame width for every application, depending on the weight, speed, incline, conveyor layout, etc.



Frame width 87 mm



Frame width 124 mm



Frame width 195 mm

SLAT TOP CHAIN:

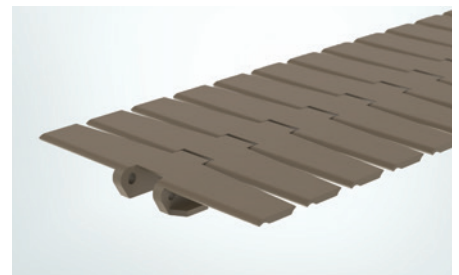
- > Various chain widths
- > Extremely tight curve radii possible
- > Chain links are individually interchangeable



Chain width 82.6 mm | curve radius 200 mm



Chain width 114.3 mm | curve radius 200 mm



Chain width 190.5 mm | curve radius 400 mm

TURNKEY CONVEYOR SOLUTIONS

Our Slat Top Conveyors are extremely versatile: they can be used in both indexing and accumulation operation or in other turnkey solutions that have already proven successful for our belt, modular belt and timing belt conveyors.

This enables us to offer you customized solutions for a wide range of conveying requirements and to provide you with efficient and versatile conveyor technology that is tailored to your individual requirements.



**STANDARDIZED APPLICATION
SOLUTIONS CUSTOMIZED TO YOUR
NEEDS**

The field-tested applications from the Robotunits Modular Automation System offer ingenious solutions for the simple optimization of your processes.



Discover applications
<https://robotunits.com/en/applications/>



OUTSTANDING QUALITY



UNCOMPROMISING SERVICE



FASTEST DELIVERY TIMES