

# Robotunits Cobot-Station

## *Technical data sheet*

---



Applications such as machine operation, assembly, gluing applications or simple pick & place tasks can be quickly handled.

There is sufficient space in the substructure to accommodate the most common Cobot controllers. These are also easily accessible via the door. Application-specific components (such as holders for teach pendants, workpiece

holders, tools, etc.) can be mounted to the open t-slots of the work surface. Push buttons or sensors can be subsequently mounted by the operator.

Via lifting rollers with integrated locking feet, the substructure is mobile and can be stably positioned for operation.

Not included in the delivery: Cobot, controls and wiring

### Facts:

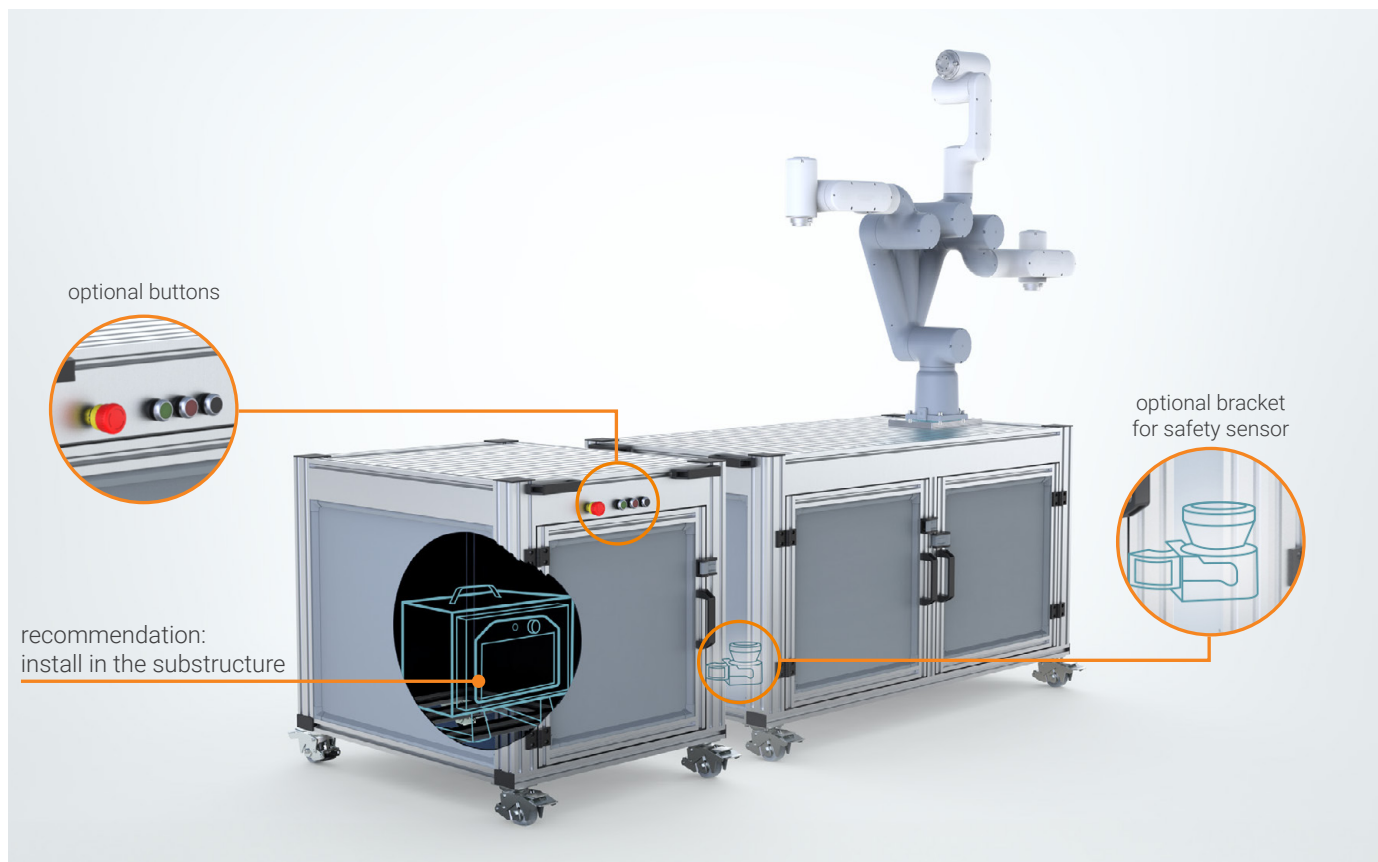
- 100% solution from the Robotunits modular system
- customized
- proven application

### Advantages for the customer:

- delivery after 5 working days
- can be adapted to on-site conditions
- compatible for a wide range of cobots

# Robotunits Cobot-Station

## Technical data



Substructure	Unit	Value
min. width	[mm]	800
min. length	[mm]	1000
max. top surface height	[mm]	1000
min. weight	[kg]	70

Robot	Unit	Value
max. range	[mm]	1400
TCP speed	[mm/s]	500
max. handling weight	[kg]	10
max. dead weight of robot	[kg]	40

Controls Recommendation: install in the substructure

### Compatible with:

**ABB**  
 IRB 14050 (YuMi)  
 CRB 15000 (GoFa)  
 IRB/CRB 1100 (SWIFTI)

**Fanuc**  
 CR-4iA  
 CRX-5iA  
 CR-7iA und CR-7iA/L  
 CRX-10iA  
 CRX-10iA/L

**UR**  
 UR3e  
 UR5e  
 UR10e

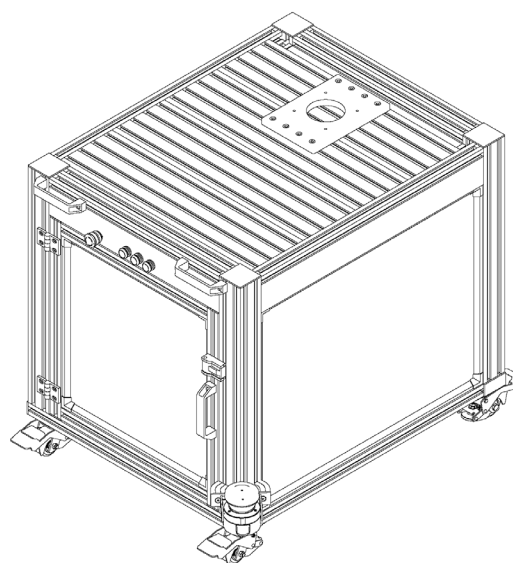
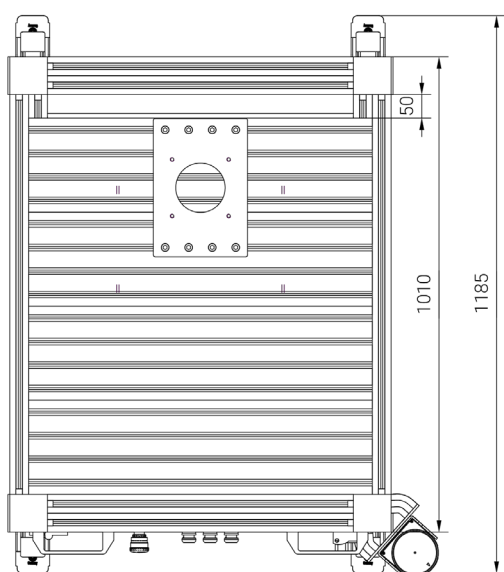
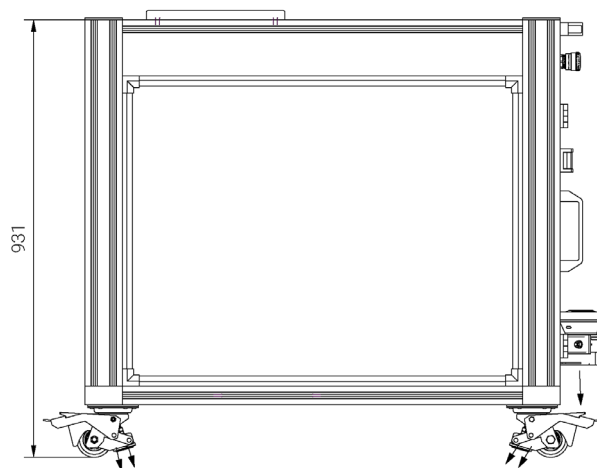
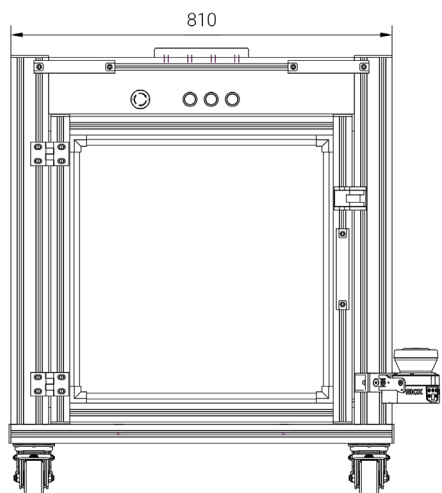
Only compatible with side cable outlet.

If the parameters of the station or the cobot are exceeded, the station must be fixed to the ground to prevent it from tipping over. The mounting position of the robot must be placed in the center.

# Robotunits Cobot-Station

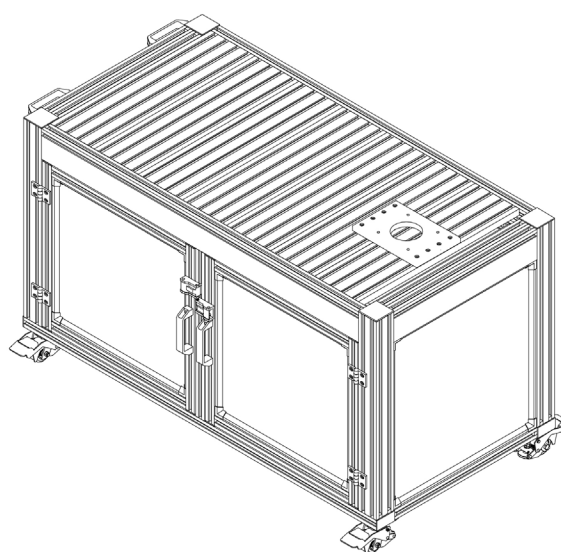
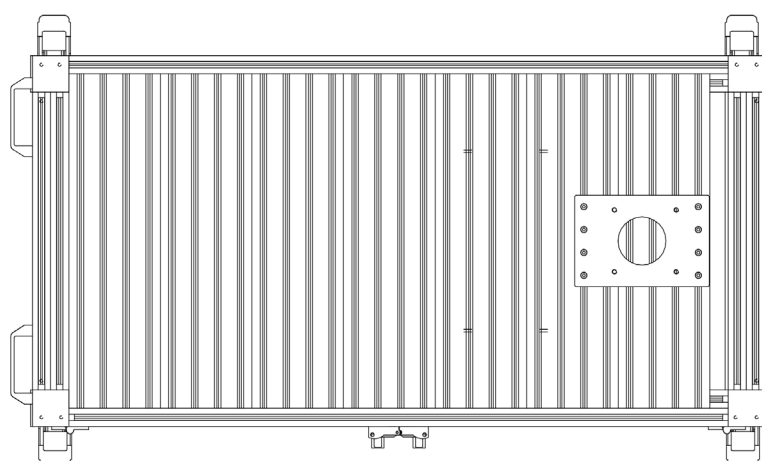
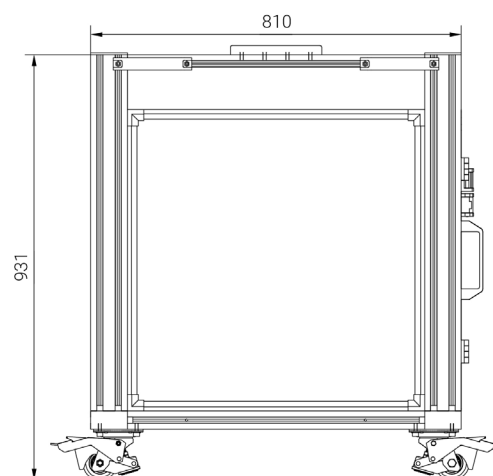
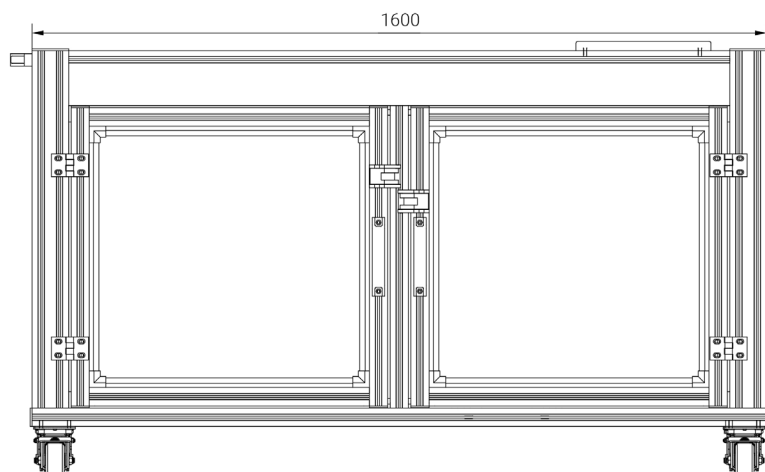
*Dimensions: Example 1010 x 810*

---



# Robotunits Cobot-Station

*Dimensions: Example 1600 x 810*



Any questions?

Our sales team will be happy to inform you about further possibilities and develop your individual solution in collaboration with you.

<https://robotunits.com/en-us/contact/>

Robotunits Inc.

8 Corporate Drive

Cranbury, NJ 08512, USA

+1 732-438-0500

info.usa1@robotunits.com